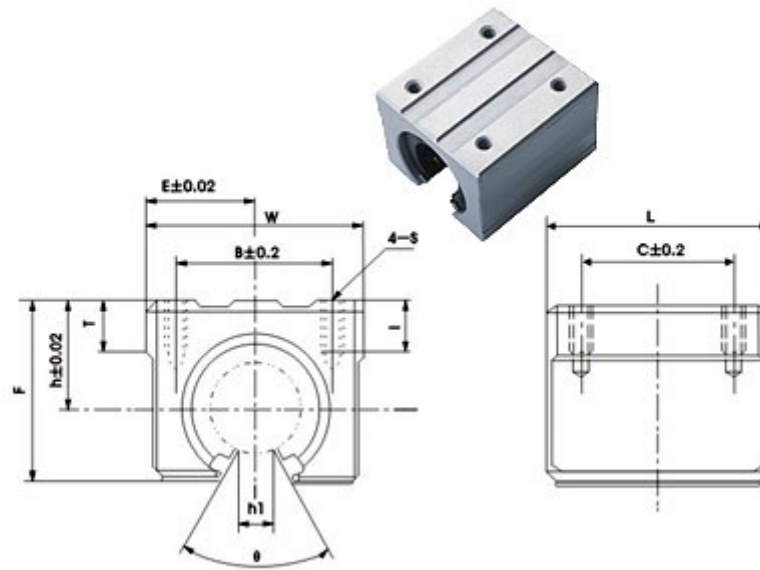


SME Series datasheet



MODEL NO.	SHAFT DIAMETER	MAIN DIMENSIONS								MOUNTING DIMENSIONS				BASIC LOAD RATING		WEIGHT(kg)
		h	E	W	L	F	T	h1	θ	B	C	S	I	c(kgf)	Co(kgf)	
SME10	10	15	18	36	32	24	7	6	80°	25	20	M5	10	38	56	0.065
SME12	12	17	20	40	39	27.6	8	8.5	80°	28	26	M5	10	42	61	0.100
SME13	13	17	20	40	39	27.6	8	8.5	80°	28	26	M5	10	52	80	0.100
SME16	16	20	22.5	45	45	33	9	10	80°	32	30	M5	12	59	91	0.150
SME20	20	23	24	48	50	39	11	10	60°	35	35	M6	12	88	140	0.200
SME25	25	27	30	60	65	47	14	11.5	50°	40	40	M6	12	100	160	0.45
SME30	30	33	35	70	70	56	15	14	50°	50	50	M8	18	160	280	0.63
SME35	35	37	40	80	80	63	18	16	50°	55	55	M8	18	170	320	0.92
SME40	40	42	45	90	90	72	20	19	50°	65	65	M10	20	220	410	1.33
SME50	50	53	60	120	110	92	25	23	50°	94	80	M10	20	390	810	3.00