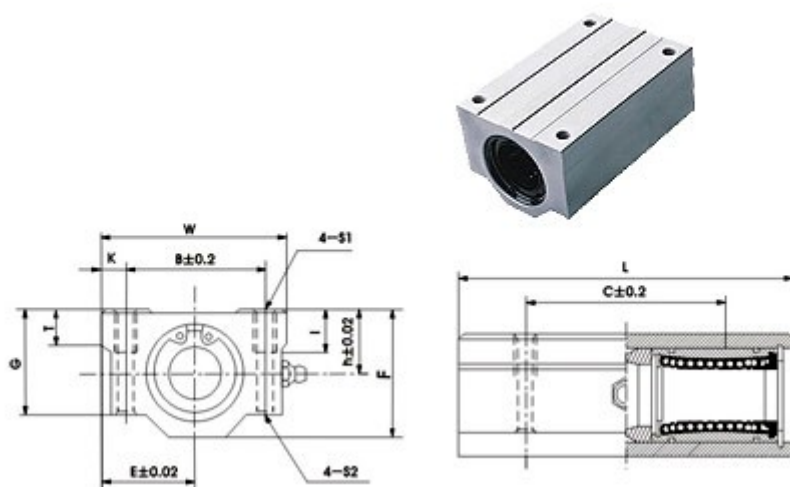


SMA-L Series datasheet

(Vyznačené typy držíme skladem)



MODEL NO.	SHAFT DIAMETER	MAIN DIMENSIONS							MOUNTING DIMENSIONS						WEIGHT(kg)
		h	E	W	L	F	G	T	B	C	K	S1	S2	I	
SMA8L	8	11	17	34	58	22	18	6	24	42	5	M4	3.4	8	0.1
SMA10L	10	13	20	40	68	26	21	8	28	46	6	M5	4.3	12	0.18
SMA12L	12	15	21	42	70	28	24	8	30.5	50	5.75	M5	4.3	12	0.20
SMA13L	13	15	22	44	75	30	24.5	8	33	50	5.5	M5	4.3	12	0.23
SMA16L	16	19	25	50	85	38.5	32.5	9	36	60	7	M5	4.3	12	0.39
SMA20L	20	21	27	54	96	41	35	11	40	70	7	M6	5.2	12	0.49
SMA25L	25	26	38	76	130	51.5	42	12	54	100	11	M8	7	18	1.165
SMA30L	30	30	39	78	140	59.5	49	15	58	110	10	M8	7	18	1.43
SMA35L	35	34	45	90	155	68	54	18	70	120	10	M8	7	18	2.13
KBA40L	40	40	51	102	175	78	62	20	80	140	11	M10	8.7	25	3.09
KBA50L	50	52	61	122	215	102	80	25	100	160	11	M10	8.7	25	6.53
KBA60L	60	58	66	132	240	114	94	30	108	180	12	M12	10.7	25	9.29