

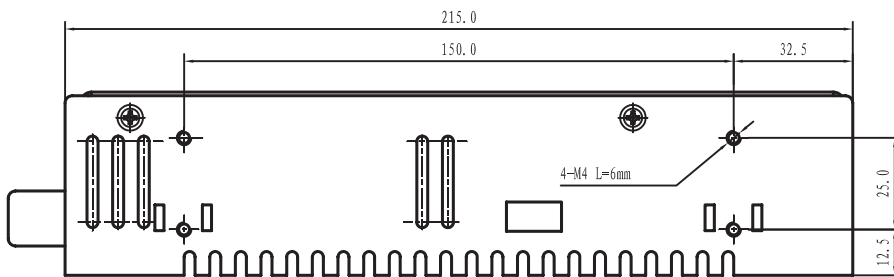
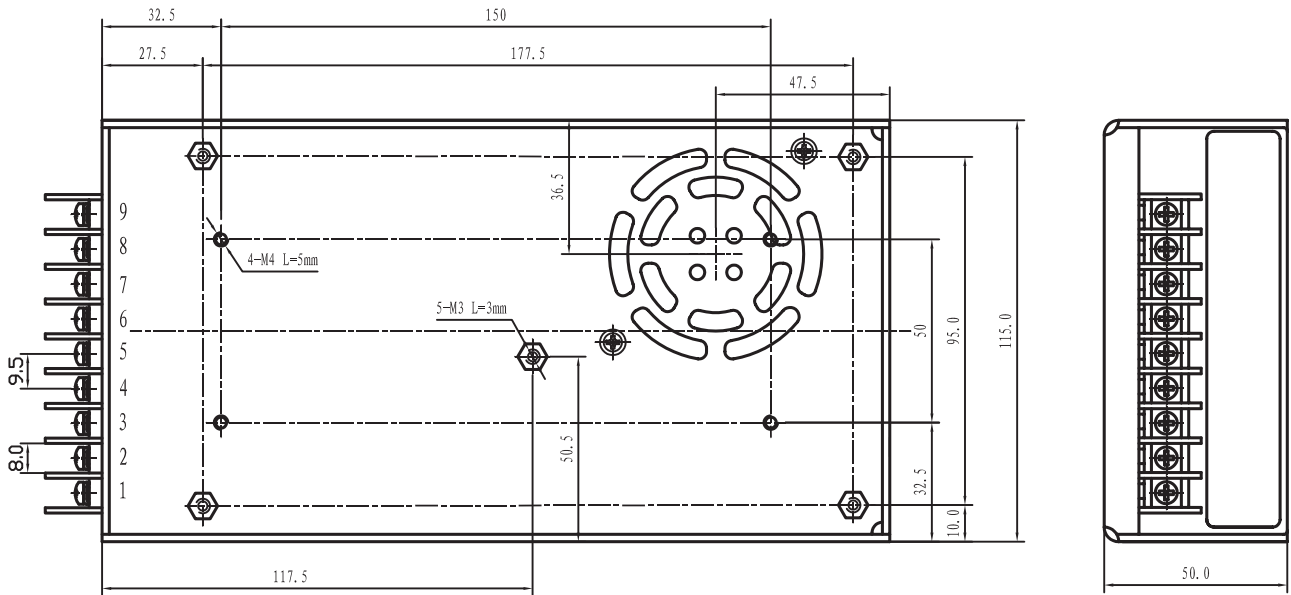
Features:

- High efficiency, high reliability, low cost
- Universal AC input / full range
- 100% full load burn-in test
- Protections: Short circuit/ Over load/ Over voltage
- PWM control and regulated
- Forced air cooling by built in DC fan
- Built-in cooling Fan ON-OFF control
- Fixed switching frequency at 25KHz
- 1 year warranty
- Dimensions: 215*115*50mm (L*W*H)



MODEL		S-350 -5	S-350-7.5	S-350-12	S-350-13.5	S-350-15	S-350-24	S-350-27	S-350-48	
OUTPUT	DC VOLTAGE	5V	7.5V	12V	13.5V	15V	24V	27V	48V	
	VOLTAGE TOLERANCE	±2%	±2%	±1%	±1%	±1%	±1%	±1%	±1%	
	RATED CURRENT	50A	40A	29A	25.8A	23.2A	14.6A	13A	7.3A	
	CURRENT RANGE	0-50A	0-40A	0-29A	0-25.8A	0-23.2A	0-14.6A	0-13A	0-7.3A	
	RATED POWER	250W	300W	348W	348.3W	348W	350.4W	351W	350.4W	
	RIPPLE & NOISE	150mVp-p	150mVp-p	150mVp-p	150mVp-p	150mVp-p	150mVp-p	200mVp-p	240mVp-p	
	DC ADJUSTMENT RANGE	-10%, +12%	±20%	-16%, +10%	-12%, +11%	-10%, +20%	-16%, +10%	-4%, +18%	-15%, +17%	
	SETUP, RISE, HOLD TIME	200ms,50ms,20ms at full load								
INPUT	VOLTAGE RANGE	90~132 VAC/180~264VAC 47~63 Hz; selected by switch 254~370VDC								
	AC CURRENT	6.5A/115 V 4A/ 230 V								
	EFFICIENCY	73%	76%	74%	79%	78%	81%	82%	83%	
	INRUSH CURRENT	Cold start 50A/115V 50A/230V								
	LEAKAGE CURRENT	<3.5 mA/240VAC								
PROTECTION	OVER LOAD	105%~135%								
		Protection type: Fold back current limiting, recovers automatically after fault condition is removed.								
	OVER VOLTAGE	115%~135%								
		Protection type: hiccup mode, recovers automatically after fault condition is removed.								
FAN ON/OFF CONTROL	RT3≥55℃ FAN ON, ≤45℃ FAN OFF, ≥80℃ output shutdown (5~7.5V)									
	RT3≥65℃ FAN ON, ≤55℃ FAN OFF, ≥80℃ output shutdown (12~15V)									
	RT3≥70℃ FAN ON, ≤60℃ FAN OFF, ≥85℃ output shutdown (24~48V)									
ENVIRONMENT	WORKING,TEMP., HUMIDITY	-10℃~+50℃; 20%~90 %RH								
	STORAGE TEMP., HUMIDITY	-20℃~+85℃; 10%~95 %RH								
	VIBRATION	10~500Hz, 2G 10min./1cycle, period for 60min, each along X, Y, Z axes								
SAFETY	WITHSTAND VOLTAGE	I/P-O/P: 1.5KVAC I/P-FG: 1.5KVAC O/P-FG: 0.5KVAC								
	ISOLATION RESISTANCE	I/P-O/P, I/P-FG, O/P-FG: 100M Ohms/500VDC								
STANDARD	SAFETY STANDARD	Design refer to UL1950								
	EMC STANDARD	Design refer to EN55022, EN55024, EN61000								
OTHERS	WEIGHT	1.07Kg								
	PACKING	12pcs/13.5Kg/0.98CUFT								
NOTE	<ol style="list-style-type: none"> All parameters NOT specially mentioned are measured at 230VAC input, rated load and 25 °C of ambient temperature. Ripple & noise are measured at 20MHz of bandwidth by using a 12" twisted pair-wire terminated with a 0.1 μ & 47 μ parallel capacitor. Tolerance: includes set up tolerance, line regulation and load regulation. 									

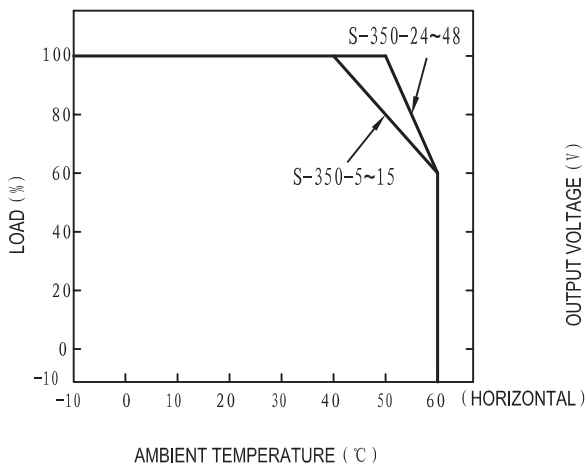
Outline and Dimension:



Terminal Pin No. Assignment:

Pin No.	Assignment	Pin No.	Assignment
1	AC/L	4~6	DC OUTPUT -V
2	AC/N	7~9	DC OUTPUT +V
3	FG		

Derating Curve



Static Characteristics (24V)

