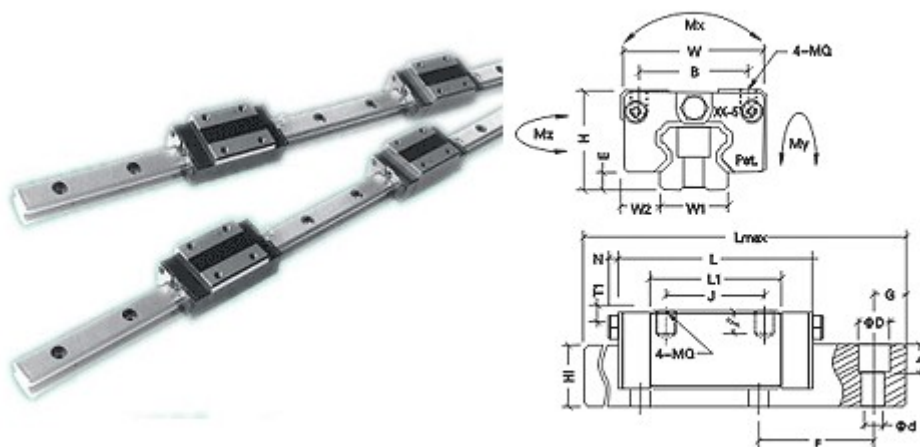


Lineární vedení HLH-B Série



MODEL NO.	Assembled Dimension					Seat Dimension(mm)					Track Dimension(mm)				
	H	W	W2	E	L	BXJ	MQX&	L1	Hole of oil	T1	N	W1	H1	F	dXDXh
HLH15B	28	34	9.5	4.6	66	26X26	M4X6.4	40	∅3	8.3	5	15	14	60	4.5X7.5X5.3
HLH20B	30	44	12	5	77.8	32X36	M5X8	48.8	M6X1	7	6.5	20	18	60	6X9.5X8.5
HLH20BL					92.4	32X50		63.4							
HLH25B					88	35X35		57							
HLH25BL					110.1	35X50	M6X9.6	79.1	M6X1	11.8	6.5	23	22	60	7X11X9
HLH30B					109	40X40		72							
HLH30BL					131.3	40X60	M8X12.8	94.3	M6X1	10	6.5	28	26	80	9X14X12
HLH35B					119	50X55		80							
HLH35BL					144.8	50X72	M8X12.8	105.8	M6X1	15	6.5	34	29	80	9X14X12
HLH45B					148.2	60X60		105							
HLH45BL					173	60X80	M10X16	129.8	M8X1	18	13	45	38	105	14X20X17
HLH55B					170	75X75		121							
HLH55BL					205.1	75X95	M12X19	156.1	M8X1	20	13	53	44	105	16X23X20

MODEL NO.	(mm)		Basic Loas Rating			(kgf*m)			Weight	
	Lmax	G	C(kgf)	Co(G)	Mx	My	Mz	Block(kgf)	Track(kgf/M)	
HLH15B			850	1650	10	8	8	0.21	1.4	
HLH20B			1450	2560	22	18	18	0.31		
HLH20BL	4000	20	1900	3330	28.6	23.4	23.4	0.47	2.6	
HLH25B			2140	4000	36	31	31	0.45		
HLH25BL	4000	20	2996	5600	50.4	43.4	43.4	0.56	3.6	
HLH30B			2980	5490	60	49	49	0.91		
HLH30BL	4000	20	3900	7190	78.5	65	65	1.2	5.2	
HLH35B			3960	7010	96	73	73	1.5		
HLH35BL	4000	20	5230	9270	125	95	95	1.9	7.2	
HLH45B			6740	12100	216	168	168	2.3		
HLH45BL	4000	22.5	8330	14950	267	210	210	2.8	12.3	
HLH55B			9940	17100	367	288	288	3.9		
HLH55BL	4000	30	12820	22060	473	375	375	5	16.9	