

1 2 3 4 5 6

A

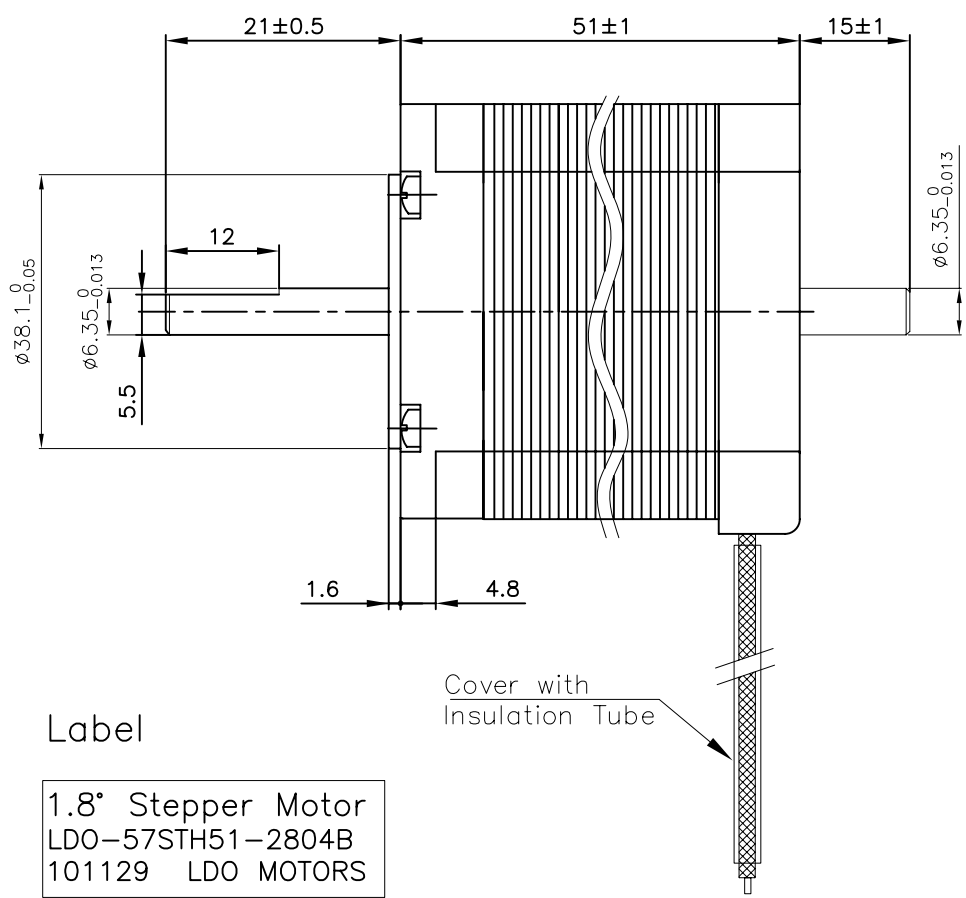
B

C

A

B

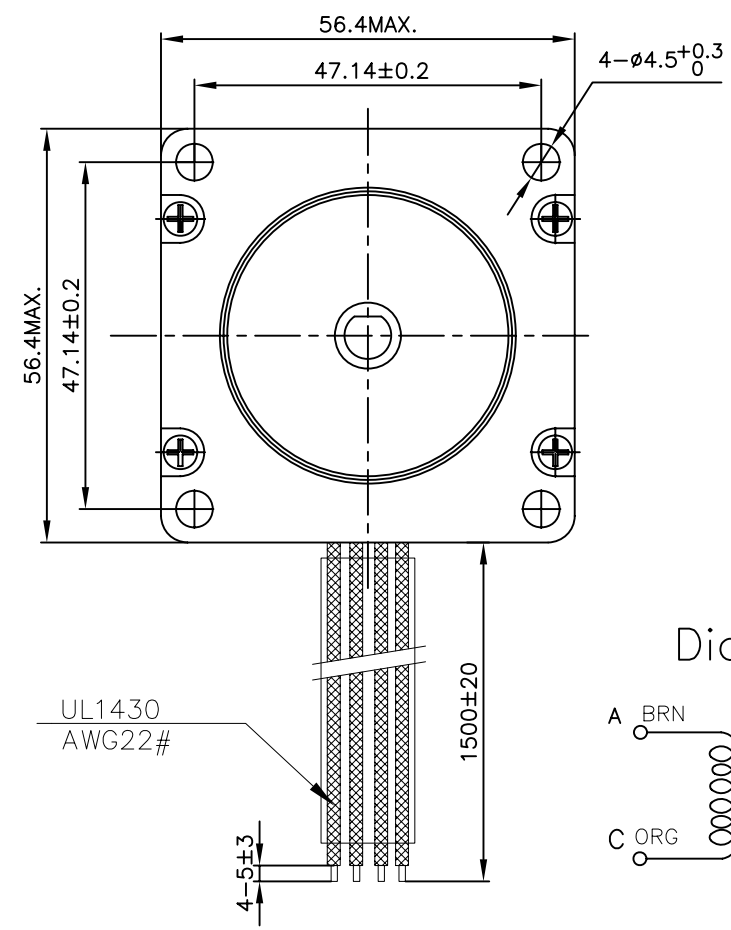
C



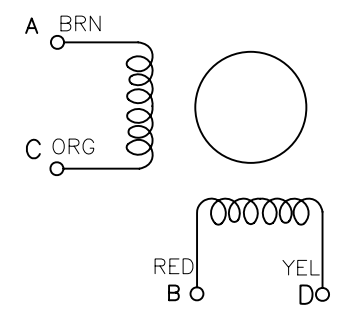
Label

1.8° Stepper Motor
LDO-57STH51-2804B
101129 LDO MOTORS

Cover with
Insulation Tube



Diagram



Items	Specs	Items	Specs						
Phase Number	2 phases	Step Angle	1.8° ±5%						
Rated Voltage	5.04 VDC	Rated Current	DC 2.8 A / Phase	A	---	New Release	Danny Z	J. B.	12. 01. 10
Resistance(20°C)	1.8±10% Ω / phase	Inductance	2.5±20% mH / Phase	REV	ECN NO	Description	Made by	Approve	Date
Holding Torque	≥10.1 Kg-cm	Detent Torque	0.36 Kg-cm REF.				LDO MOTORS CO.,LTD Hybrid Stepper Motor LDO-57STH51-2804B		
Rotate Direction	ACBDA CW	MAX Starting PPS	≥1500 PPS						
MAX slewing PPS	≥2500 PPS	Insulation Resistance	≥100 MΩ (DC 500V)						
HI POT	AC600V/1mA/1S	Insulation Class	Class B						
Rotor Inertia	275 g.cm ²	Weigth	0.65 Kg REF.	Des.	Check	Appr.	Date	Factory Code	page

D

D

1 2 3 4 5 6