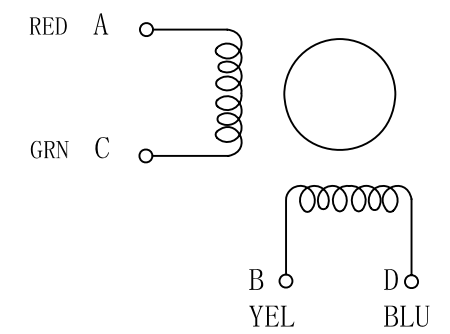


Label

1.8° Stepper Motor
LDO-57STH41-2804A
110311 LDO MOTORS

Diagram



Items	Specs	Items	Specs
Phase Number	2 phases	Step Angle	1.8° ±5%
Rated Voltage	2.0 VDC	Rated Current	DC 2.8 A / Phase
Resistance(20°C)	0.7±15% Ω / phase	Inductance	1.4±20% mH / Phase
Holding Torque	≥5.5 Kg-cm	Detent Torque	0.21 Kg-cm REF.
Rotate Direction	ACBDA CW	MAX Starting PPS	≥1500 PPS
MAX slewing PPS	≥2500 PPS	Insulation Resistance	≥100 MΩ (DC 500V)
HI POT	AC600V/1mA/1S	Insulation Class	Class B
Rotor Inertia	120 g.cm ²	Weigth	0.45 Kg REF.

A	---	New Release	Danny Z	J. B.	1.12.12
REV	ECN NO	Description	Made by	Approve	Date
			LDO MOTORS CO.,LTD		
			Hybrid Stepper Motor LDO-57STH41-2804A		
Des.	Check	Appr.	Date	Factory Code	23HD0213-20W-300
			page		

1 2 3 4 5 6

A

A

B

B

C

C

D

D

1 2 3 4 5 6